

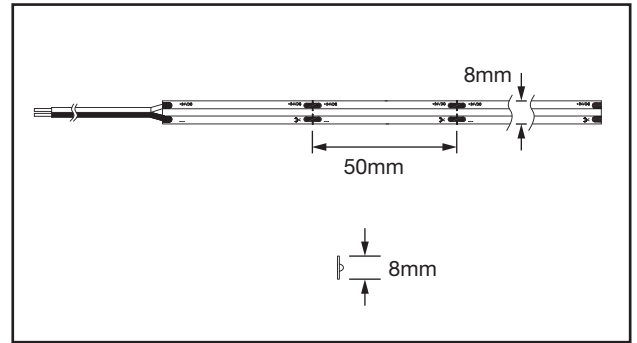
AST09L/COB

9W/m IP20 COB Dotless LED Strip, 24V

SEAMLESS PRO

PRODUCT FEATURES

- Max Length Powered Single End 10m And 20m Double Ended
- Continuous And Even Dotless Light Effect
- High CRI 90 (For More Vibrant Effective Colours)
- Available In 2700K, 3000K, 4000K, 6000K
- IP Rating: IP20
- Dimmable (When Used With A Dimmable Driver)
- Maximum 50mm Cut Points
- Customised Bespoke Service Available



TECHNICAL SPECIFICATIONS

PRODUCT CODE	AST09L/COB/27	AST09L/COB/30	AST09L/COB/40	AST09L/COB/60
Useful Luminous Flux (LM)	650lm	700lm	740lm	780lm
CCT (Kelvin)	2700K	3000K	4000K	6000K
Beam Angle (°)	120	120	120	120
SDCM	<6	<6	<6	<6
CRI	>90	>90	>90	>90
Peak Intensity (cd)	145	156	165	168
Operating Voltage (V)	24VDC	24VDC	24VDC	24VDC
Max Output Power (W)	9W	9W	9W	9W
Class	III	III	III	III
Switching Cycles	>15,000	>15,000	>15,000	>15,000
Ingress Protection	IP20	IP20	IP20	IP20
Ambient Operating Temperature (°C)	-20°C ~ +40°C	-20°C ~ +40°C	-20°C ~ +40°C	-20°C ~ +40°C
Guarantee	3 Years	3 Years	3 Years	3 Years
Dimmable	Yes	Yes	Yes	Yes
Lifetime (L70 B50)	30,000Hrs	30,000Hrs	30,000Hrs	30,000Hrs
Cut Points	50mm	50mm	50mm	50mm
PCB Width	8mm	8mm	8mm	8mm
LED/M	420LEDS/M	420LEDS/M	420LEDS/M	420LEDS/M
Reel Length	40m	40m	40m	40m

DC
24V

VERY WARM WHITE
2700K

WARM WHITE
3000K

COOL WHITE
4000K

BRIGHT DAY LIGHT
6000K

CRI90+

IP20

120°

30,000H

240V AC

COB LED

≤780lm

9W

CLASS 3

INDOORS ONLY

DIMMABLE WITH DRIVER

3 YEAR GUARANTEE

G